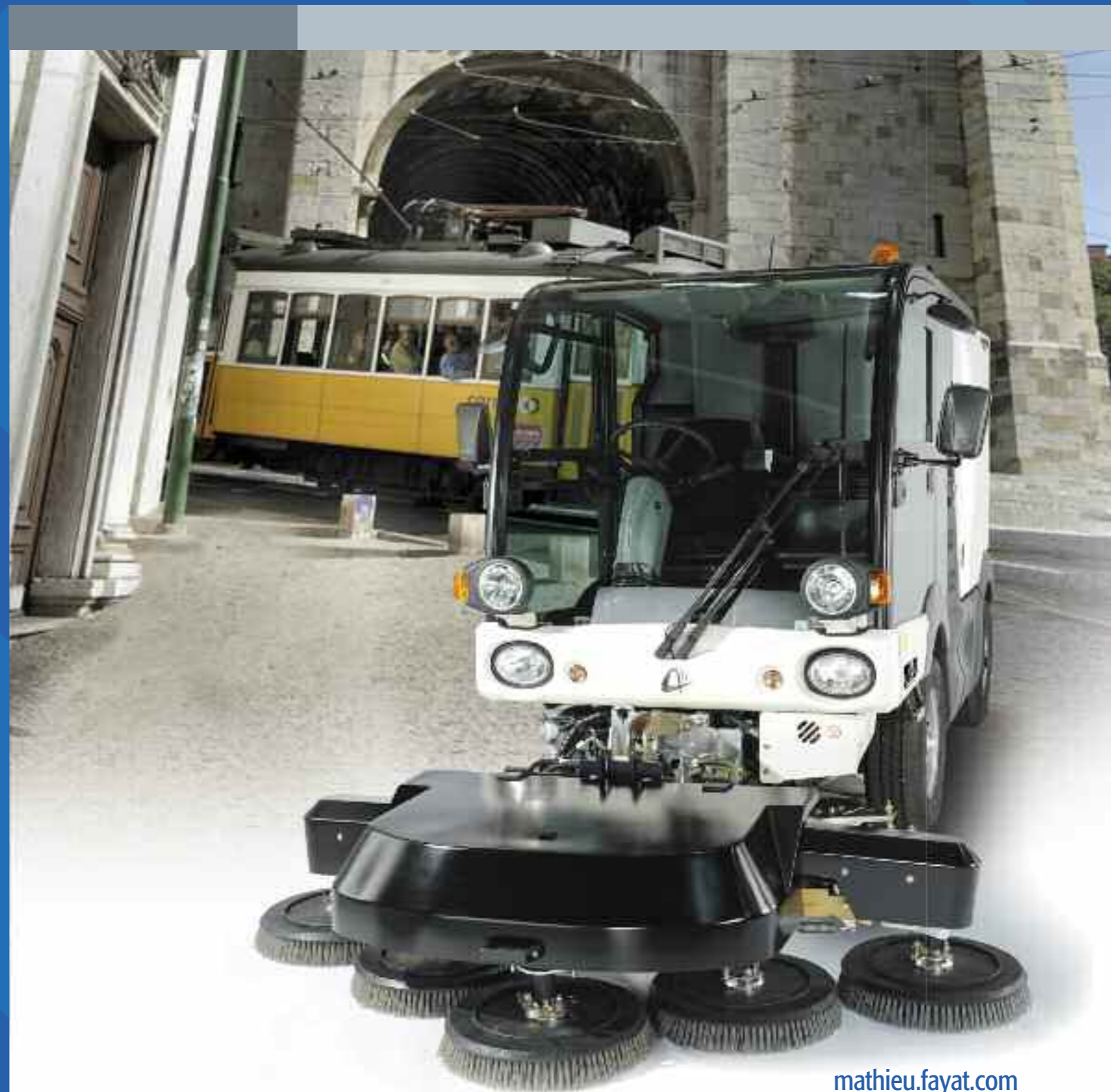




 **MATHIEU**  
FAYAT GROUP

**AQUAZURA**



 **MATHIEU**  
FAYAT GROUP

MATHIEU S.A.  
85, rue Sébastien Choulette  
B.P. 32 54202 Toul Cedex  
France

T : +33 (0) 3 83 65 22 22  
F : +33 (0) 3 83 63 19 82  
E : info@mathieu.fayat.com

[www.mathieu.fayat.com](http://www.mathieu.fayat.com)

Dealerstamp





## L'AQUAZURA IS BORN WITH A DOUBLE REQUIREMENT :

respect for the environment combined with washing efficiency. The quiet and stylish AQUAZURA has been created to provide a high efficiency total surface cleaning solution whilst still respecting the floor and the environment within which it works.

## AQUAZURA THE FIRST ECO-WASHER®

The **AQUAZURA** cleaning system simultaneously achieves wetting, soaping, scrubbing, recovery and recycling of the waste water. All these actions combined into one machine ensure the **AQUAZURA** is unrivalled in its abilities.

Associated with a "clean" vehicle, with a low noise level, the **ECO-WASHING** method is non-aggressive to the environment and is particularly well adapted to any type of floor and surface covering.

The **ECO-WASHING** enables you to recover the waste water, greases and oils, solid and fine waste before separation and recycling.



### ECO IN DESIGN

- Use of Bio Diesel
- Reduce Diesel consumption : 5 l/h
- Components recycling rate : 80%
- Bodywork components in recyclable materials
- Engine with particle filter corresponding to the stricter environments norms EURO 5 / EEV
- Very low sound level.
- Release of particles in the air minimized, certified PM 10

### ECO IN OPERATION

- Very low washing water consumption (8 times less than a traditional washer),
- Hydro-mechanical washing action with non-aggressive surface scrubbing,
- Non-aggressive, environment-friendly detergent,
- Suction of waste water and detergent,
- Suction of solid matter,
- Recycling of waste water,
- Separation of waste water, greases, oils and solid matter,
- Degreasing of highly "polluted" surfaces in city centres
- Protection of surfaces and floor seals,
- Protection of shop windows against water splashing

With a wide range of applications, such as pavements, pedestrian areas, historical centres, parking areas, airports, at the service of civil protection, the **AQUAZURA** proves itself to be an extremely versatile machine that can adapt to all applications of preventive maintenance or corrective flooring maintenance.



# A TECHNOLOGY TO LISTEN TO THE WELFARE AND THE ENVIRONMENT



## 1 THE SHAMPOOING AND ANNEALING :

The combined action of the water - detergent mix and brushes guarantees effective washing by shampooing. The liquid, sprayed towards the floor at low pressure (3 bars.), removes incrusted substances. At the same time, the brushes scrub gently while the grease disappears under the action of the detergent mixed with the liquid.

## 2 THE DETERGENT TANK :

With its 20-litre capacity, it provides the user with comfortable operating autonomy. Although active, the detergent is neither aggressive nor toxic. It is even up to 100% environment-friendly.

## 3 THE CONTAINER WITH WATER RECYCLING SYSTEM :

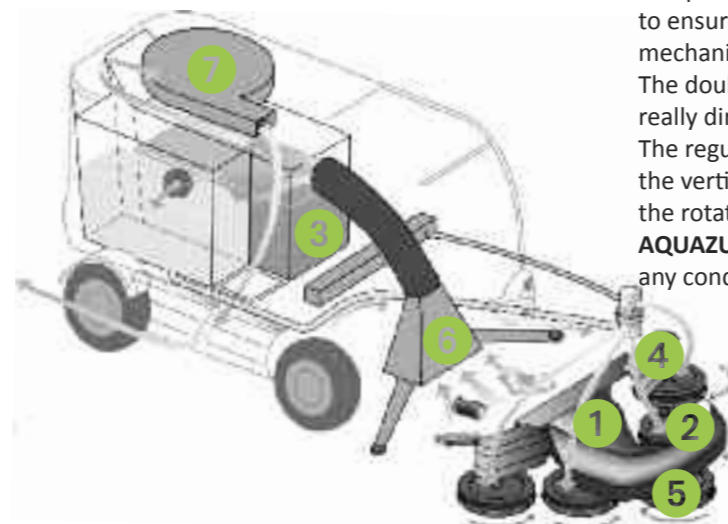
With a clean water capacity of 1000 litres, the working cycles of the **AQUAZURA** are exceptionally long. Indeed, when water recycling mode is being operated, it can be extended as from 2 to 3 hours operation according to the type of floor the machine is working on and also the climate conditions.

A water consumption divided by 8 times: 1000 litres used in 2h30 min compared to a 2000 l traditional compact washer.

There is no discharge of waste water into the rainwater system : indeed the **AQUAZURA** uses its own suction system and waste water storing ability. This is another great difference with respect to a traditional compact washer.

## 4 THE VENTURI SYSTEM :

The Venturi system adjustment device, integrated into the clean water circuit, can be used to regulate from the cab the detergent content, depending on the condition of the floor.



## 5 THE SCRUBBING :

The 5 brushes (3 fixed brushes and 2 width adjustable) allow for a working width up to 2100 mm. The scrubbing head with 5 independent floating brushes acts first to ensure non-aggressive hydro-mechanical cleaning of the floor. The double scrubbing action allows really dirty floor to be stripped clean. The regulation of the scrubbing width, the vertical pressure of the head and the rotation speed of brushes allow the **AQUAZURA** to be extremely efficient in any conditions.

## 6 THE SUCTION :

With the scrapers, the nozzle has a span of 1600 mm on the floor, for easier suction of the biggest waste, such as drink cans and packs. The suction scrapers direct liquids to the centre, where they are sucked in. These scrapers are reversible, doubling their useful lifetime.

## 7 THE BLOWER :

Suction flow: 13000 m<sup>3</sup>/h and a 250 mm pipe. Real power for removal of encrusted substances on the floor. This irresistible flow also draws in heavy waste, greasy residue, dirty water, detergents and even unpleasant smells. The large diameter of the suction pipe contributes to this efficiency. Immediate consequence : **Aquazura** leaves behind a clean dry floor, without any risk of water spraying. Pedestrians appreciate this genuine cleanliness combined with its subtle fresh smell. The floor appears new, restores to its original condition.





# AQUAZURA : THE SOLUTION FOR ANY TYPE OF FLOOR & SURFACE

**Aquazura** clearly illustrates its remarkable efficiency in a wide range of working environments. Whether in town centres, airports, motorways, industrial and military sites or at the service of civil protection, it is fast, efficient and guarantees optimum cleanliness at all times. Safety, hygiene and environmental requirements are all respected under the best possible economic conditions.

**Hypermarkets, historic city centres, tourist resorts :** all other public places in an urban environment requiring fast, efficient and extremely discrete cleaning.

**Airports :** Aquazura offers a fast cleaning solution without disrupting the air traffic and with total respect of all relevant "safety" requirements. In aircraft docking zones, on the tarmacs or taxiways, in the aircraft hangars or even the car parks.

**Civil protection :**

Normal traffic conditions are re-established!... Following a fire, or more often an accident, the fire brigade provides emergency assistance. The Aquazura is quickly used to clean the road surface and render the site safe for public use. The floor is clean and all traces of the incident wiped away.

## AQUAZURA TECHNICAL SPECIFICATIONS

Travel speed (km/h)	25-50	
Working speed (km/h)	0-15	
Steering	4 wheel steer in work mode	
<b>Engines</b>		
Make / Type	VM R754 EU5 common rail Direct injection turbocharged and intercooled diesel engine	CUMMINS B3.3 Tier 3 Direct injection turbocharged and intercooled diesel engine
Emission level	Euro 5 EEV	Tier 3
Cubic capacity	2970 cm <sup>3</sup>	3260 cm <sup>3</sup>
Number of cylinders	4	4
Gross rated power	62 kW (83 CV) at 2300 rpm/min	60 kW (80 CV) at 2200 rpm/min
Maximum torque	270 Nm at 1400 rpm/min	304 Nm at 1600 rpm/min
<b>Dimensions, weight, capacities</b>		
Length (mm)	5067	
Width (mm)	1280	
Height (mm)	2096	
GVW (kg)	4500	
Wheel base	2150	
Maximum weight on front axle (kg)	2000	
Maximum weight on rear axle (kg)	2500	
Fuel tank capacity (litre)	70	
Water tank capacity (litre)	1000	
Detergent tank capacity (litre)	20 (with automatic measure which enables precise proportion from 0 to 5 %)	
Water recycling on brushes	standard	
High pressure washing kit	standard	
<b>Waste hopper</b>		
Voided volume (m <sup>3</sup> )	1,5	
Material	Stainless steel	
Tipping height (mm)	1400	
<b>Suction &amp; scrubbing head</b>		
Scrubbing head	5 independent & floating brushes made in Carborandum (or Rilsan), 3 fixed brushes and 2 adjustable brushes sideways by hydraulic cylinder from the cab (1 on the right and 1 on the left)	
Scrubbing width (mm)	1280-2100	
Suction squeegees width (mm)	1600	
Suction hose diameter (mm)	250	
Brush diameter (mm)	450	
Blower capacity (m <sup>3</sup> /h)	13000	
Suction nozzle dimension (mm)	200 x 540	

Due to continuous development, MATHIEU reserves the right to alter specifications without prior notice