

PRODUCT CATALOGUE

Premium Automotive Battery for HOT REGION

Future Innovated
Innovation Realized

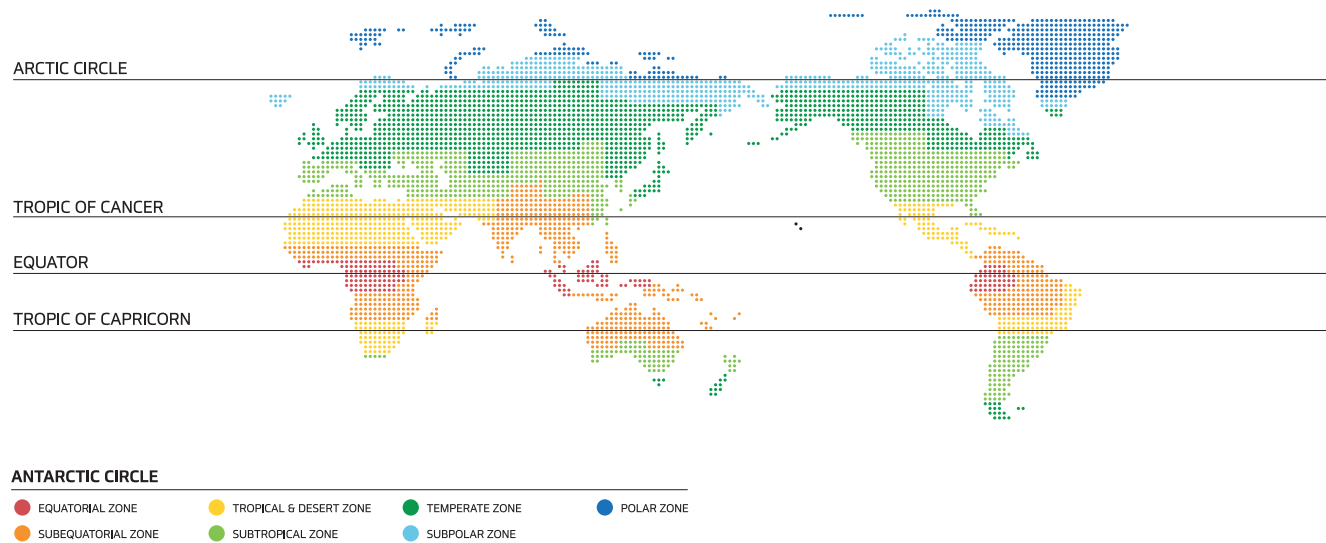


ENDURANCE EFB
OPTIMUM EFB



What happens to batteries in hot temperatures?

Hot temperatures shorten the lifespan of the battery. The temperature dependence of chemical reactions is defined by the Arrhenius equation. But more simply put, as the temperature increases so does the speed of the chemical reactions within the battery. The increase in chemical reaction speed can increase the output of the battery, but also increases the speed of battery degradation. In particular, life span shorten such as water consumption, insufficient charging and grid corrosion are greatly accelerated.



Regional Climate	Battery life expectancy
Cold	100%
Mild	82%
Hot	73%
Extreme Hot	55%

Reference : Midronics web info.



Why choose Enhanced Flooded Batteries for Hot region?



Heat Endurance Grid Tech.

The NEW "X-Frame Gen II Grid Design" provides Enhanced Durability in Hot Region

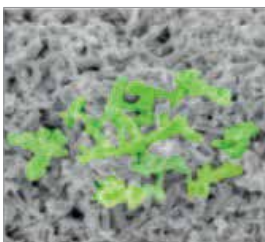
- ▶ Upgrade Grid Pattern
- ▶ Full Framed Thicker Grid
- ▶ High Tin Alloy



Enhanced Carbon Tech.

Carbon Plus Tech, Enhancing Charging Performance, preventing Undercharging and Early Discharge

- ▶ Carbon Black Additive
- ▶ Minimized Water loss

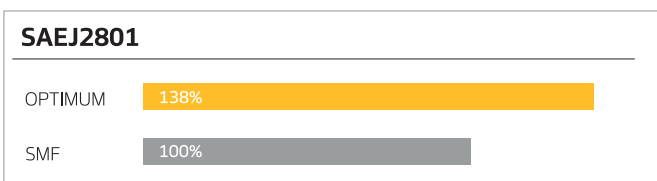


Cycle Proof Design

The New Active material Particle Control Enhances Durability of Active Material

- ▶ Positive Active Material Additional tech.
- ▶ Adding Na(Sodium) ion to the electrolyte.
- ▶ Extra Reserve Capacity
- ▶ Durability Premium Separator

Cycle life Test Result in 75 (SAE J2801)



ACCELERATE YOUR POWER WITH ATLASBX AUTOMOTIVE BATTERIES

Trust innovative thinking
Trust advanced technology

Wherever you are going, ATLASBX Batteries will move you forward
Start Stop with EFB, the primary choice of vehicle manufactures, is specially designed to meet and even go beyond all requirements of entry start stop vehicles heavily equipped with electronic devices

Technology



Technology 1

Improved Cycling for Start Stop

50% DoD

300% Up



Technology 2

Enhanced Durability in Hot Region

High Temperature Endurance [75°C]

150% Up



Technology 3

Quick Charge

Charge Acceptance

130% Up



LONG-LIFE BATTERIES HOT REGION BATTERIES

Trust ATLASBX's Innovative Technology

Take a powerful ride with ATLASBX Car batteries. Whether it's for an entry level vehicle or a high-end performance car, reliable starting power that goes all the way through till the end of your journey. ATLASBX batteries provide

As always, ATLASBX's outstanding product quality is the result of our innovative technology.



STANDARD SMF



OPTIMUM EFB

Capacity	★★★★☆	★★★★☆
Starting performance	★★★★☆	★★★★☆
Charge acceptance	★★★★☆	★★★★★
Endurance life cycle	★★★★☆	★★★★☆
Water loss resistance	★★★★☆	★★★★★

★★★★★ : Excellent / ★★★★☆ : Best / ★★★☆☆ : Very Good / ★★☆☆☆ : Good / ★☆☆☆☆ : Normal

OPTIMUM EFB



The Enhanced Flooded battery with long life service even on extreme hot region

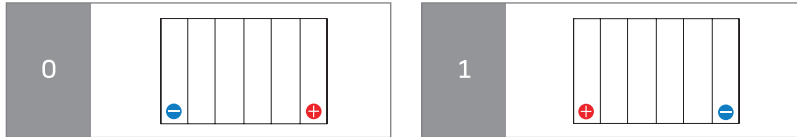
- Longer lifetime at high temperatures compared to standard batteries with specially developed active materials
- Use of reinforced grid design and corrosion-resistant alloy
- Enhanced charge acceptance with carbon plus technology
- Low water consumption preventing overcharging

Type List
Automotive **OPTIMUM Enhanced Flooded Battery**

Gr.	Type No.	Capacity	RC	CCA (JIS/BCI: SAE, EN: EN)	Dimension(mm)				Lay-Out	Terminal	Hold-down
					L	W	H	TH			
B19	EFB S40B19L	35	50	330	187	127	200	220	0	B	B0
	EFB S40B19R	35	50	330	187	127	200	220	1	B	B0
	EFB S40B19FL	35	50	330	187	127	200	220	0	B	B1
	EFB S40B19LS	35	50	330	187	127	200	220	0	A	B0
	EFB S40B19RS	35	50	330	187	127	200	220	1	A	B0
	EFB S44B19L	40	60	370	187	127	200	220	0	B	B0
	EFB S44B19R	40	60	370	187	127	200	220	1	B	B0
	EFB S44B19FL	40	60	370	187	127	200	220	0	B	B1
	EFB S44B19LS	40	60	370	187	127	200	220	0	A	B0
B24	EFB S50B24L	45	71	400	234	136	200	220	0	B	B0
	EFB S50B24R	45	71	400	234	136	200	220	1	B	B0
	EFB S50B24LS	45	71	400	234	136	200	220	0	A	B0
	EFB S50B24RS	45	71	400	234	136	200	220	1	A	B0
	EFB S55B24L	45	75	430	234	136	200	220	0	B	B0
	EFB S55B24R	45	75	430	234	136	200	220	1	B	B0
	EFB S55B24LS	45	75	430	234	136	200	220	0	A	B0
	EFB S55B24RS	45	75	430	234	136	200	220	1	A	B0
D23	EFB S55D23L	60	110	550	230	172	200	220	0	A	B1
	EFB S55D23R	60	110	550	230	172	200	220	1	A	B1
	EFB S75D23L	65	115	580	230	172	200	220	0	A	B1
	EFB S75D23R	65	115	580	230	172	200	220	1	A	B1
D26	EFB S48D26L	50	90	400	257	172	200	220	0	A	B1
	EFB S48D26R	50	90	400	257	172	200	220	1	A	B1
	EFB S80D26L	70	125	600	257	172	200	220	0	A	B1
	EFB S80D26R	70	125	600	257	172	200	220	1	A	B1
D31	EFB S65D31L	70	125	600	302	172	200	220	0	A	B1
	EFB S65D31R	70	125	600	302	172	200	220	1	A	B1
	EFB S105D31L	90	160	750	302	172	200	220	0	A	B1
	EFB S105D31R	90	160	750	302	172	200	220	1	A	B1
L1	EFB S54470	44	80	390	208	174	190	190	0	A	B13
L2	EFB S55570	55	95	480	242	174	190	190	0	A	B13
	EFB S56270	62	110	540	242	174	190	190	0	A	B13
L3	EFB S56670	66	110	540	277	174	190	190	0	A	B13
	EFB S57270	72	130	610	277	174	190	190	0	A	B13
L4	EFB S58070	80	160	640	315	174	190	190	0	A	B13
L5	EFB S60070	100	180	850	354	175	190	190	0	A	B13

Technical Data

LAYOUT

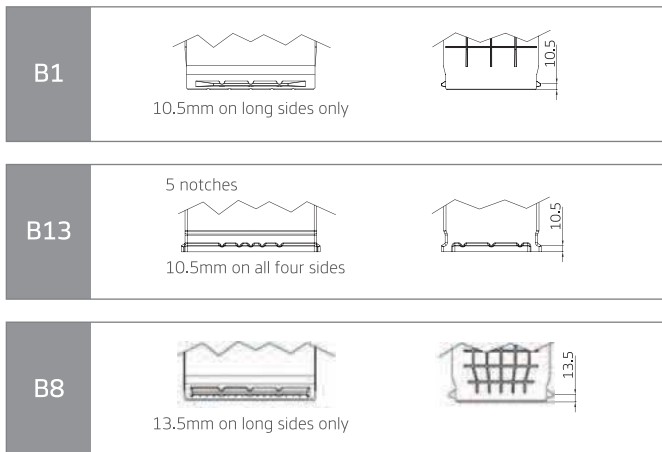


TERMINALS

Terminal	A (Standard)	B (Small)	Side
Positive			
Negative			

* DT : Dual Terminal (Standard + Side)

HOLD - DOWN



* For B0 there is no Hold-Down



Hankook & Company

2F,286, Pangyo-ro, Bundang-gu, Seongnam-si, Gyeonggi-do, Republic of Korea

Fax:+82-31-5178-8198 / www.hankook-atlasbx.com/en



The information provided in this brochure contains only general description or performance characteristics, which do not always apply as described in the specific case or which may change as a result of further development of the product. This information is merely a technical description of the product. This information is not meant or intended to be a special guarantee for a particular quality or particular durability. An obligation to provide the respective characteristics shall only exist if expressly agreed in the terms of contract. We reserve the right to make changes in availability as well as technical changes without prior notice.